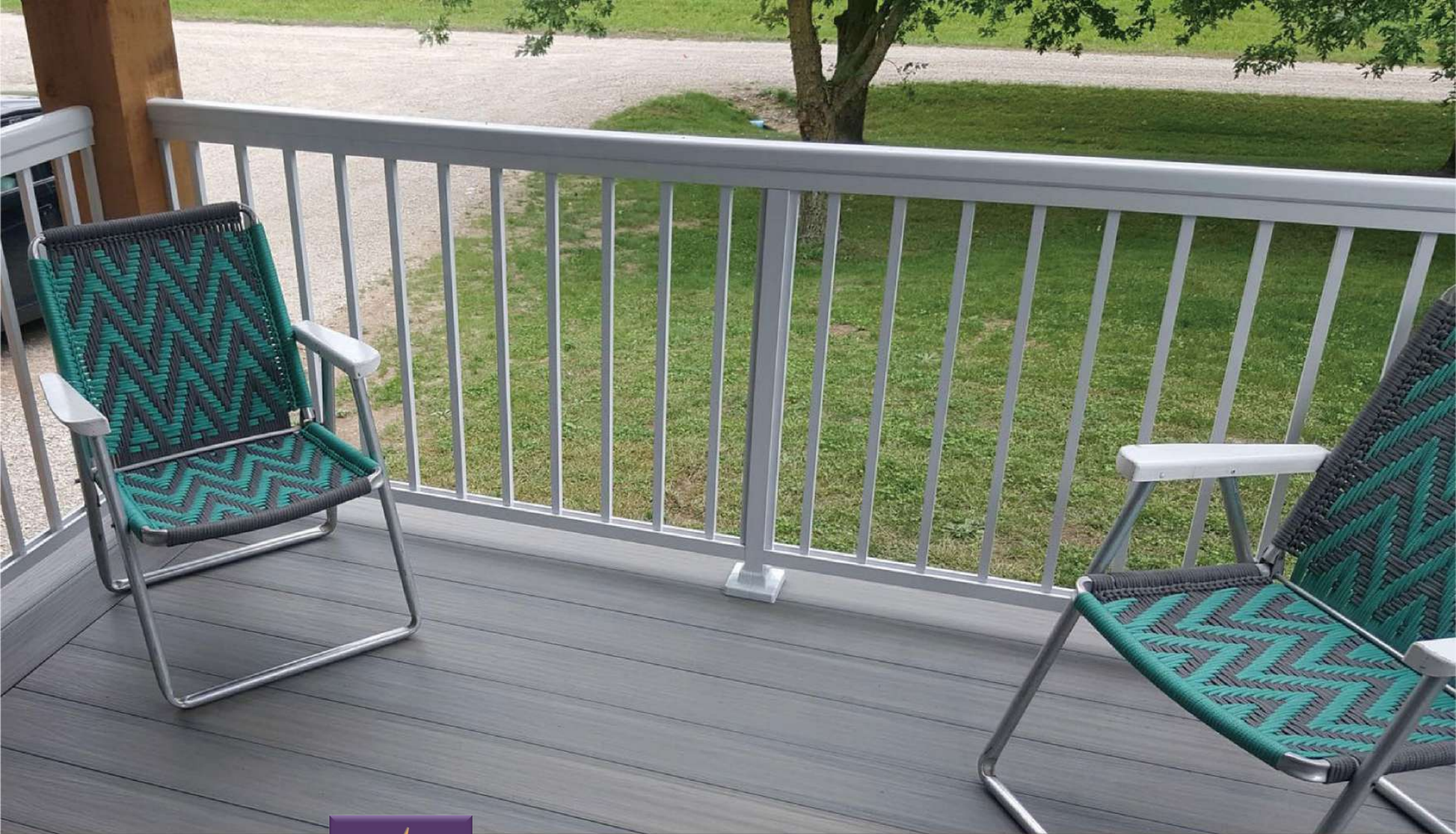




SPARK BUSINESS GROUP PTY LTD

Outdoor WPC Decking

Spark Business Group Pty Ltd
U2, 13 McCormack Street, Arndell Park, 2148, NSW,
Tel: 02 9907 4717
Website: www.sparkbusinessgroup.com.au
Email: enquiry@sparkbusinessgroup.com.au



The application of



WPC decking

In generally, COOWIN® WPC decking can be applied for almost every field of outdoor floor decoration, such as riverside plank, playground, walking street, living balcony, terrace, platform, swimming pool surrounding, etc. It can be said as a comprehensive building material.



WHY

WPC ?

Life's different out here. One step through the door and you feel it. It's more personal, less stressful. Away from the TV and video games. Where talking takes place over texting, nature provides the backdrop, and neighbors are welcome to sit a spell. As comfortable for lazy Sunday coffee as it is for a crazy Saturday cookout. And more moments are likely to be memories.

We get it. It's why we're a leading innovator in composite decking-and have been for years. Day after day, we imagine unrivaled combinations of colors, styles and mix-and-match options-then bring them to life. All to help you create a space that's as beautiful as it is functional-and as easy to design as it is to care for.

The ultimate in low-maintenance living - with a 25-year warranty that proves our dedication to perfection. High-performance decking. Low-maintenance living. It's our passion.



The application of Spark WPC Decking.

In general, Spark WPC decking can be applied for almost every field of outdoor floor decoration, such as riverside/seaside plank, playground, walking street, living balcony, terrace platform, swimming pool surrounding, etc. It can be said as comprehensive building material.

SPARK WPC What's the features of decking?

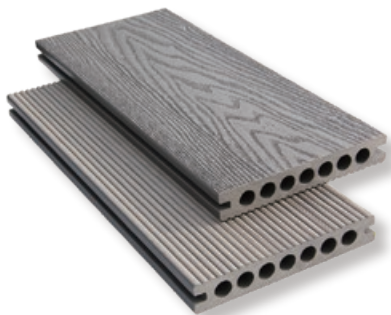
SPARK decking is produced from Wood Plastic Composite (WPC) which is manufactured by an extrusion process using a mix of recycled plastic and hardwood with various bespoke additives. WPC is an immensely versatile material that combines the traditional appearance of timber with durability and resilience of any engineered composite.



- 100% recycled, environmentally friendly
- Look and feel like real wood.
- Anti-UV, anti impact, anti moisture, and termites.
- Service lifetime is 5-10 times longer than wood products
- Easy installation
- Offers a soft, splinter-free finish that's comfortable underfoot.

- Waterproof, resistant to saltwater corrosion.
- Fade & stain resistant.
- Waterproof resistant
- Will not warp rot or split.
- Mold & mildew resistant.
- High environmental adaptability, suitable for wet places, ideal for marine

COMPOSITE DECKING : TS-03



Surface



Groove



Modern
3D Embossing



Classical
3D Embossing



Fashion
3D Embossing



WATER-
PROOF



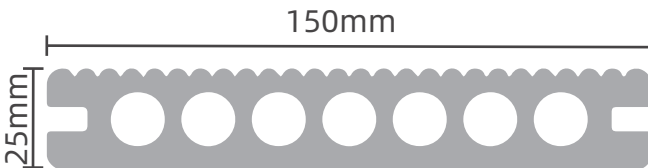
TERMITE
RESISTANCE



NO PAINT /
MAINTENANCE



EASY TO
INSTALL

Sectional view	
Item	TS-03
Size(mm)	150x25
Surface	Groove, 3D Embossing
Standard Length	2.2m or customized

Color



Cedar



Red Pine



Red Wood



Light Gray



Coffee



Red Brown



Blue Gray

Art Color



Cedar
(Art Color)



Red pine
(Art Color)



Red wood
(Art Color)



Light gray
(Art Color)



Brown
(Art Color)

COMPOSITE DECKING : TW-K03



Surface



Groove



Modern
3D Embossing



Classical
3D Embossing



Fashion
3D Embossing



WATER-
PROOF



TERMITE
RESISTANCE



NO PAINT /
MAINTENANCE



EASY TO
INSTALL

Color



Cedar



Red Pine



Red Wood



Light Gray



Coffee



Red Brown



Blue Gray

Art Color



Cedar
(Art Color)



Red pine
(Art Color)



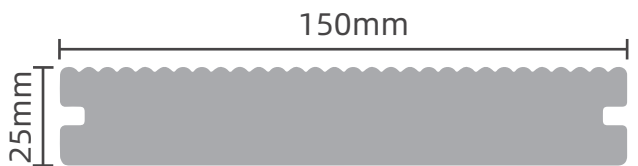
Red wood
(Art Color)



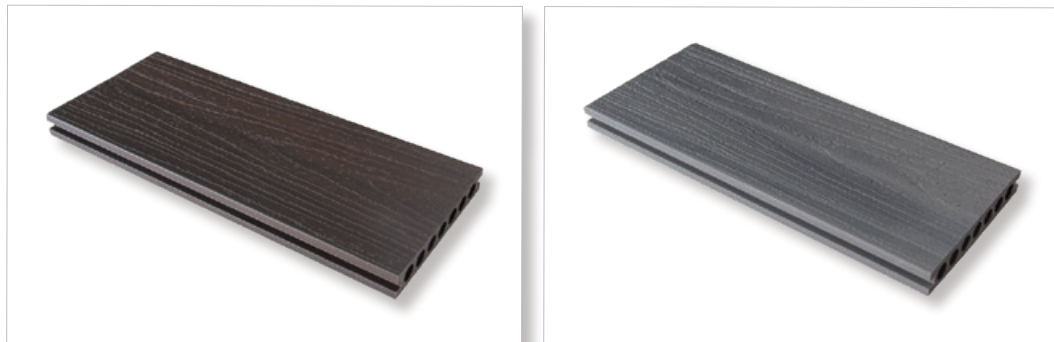
Light gray
(Art Color)



Brown
(Art Color)

Sectional view	
Item	TW-K03
Size(mm)	150x25
Surface	Groove, Sanding, 3D Embossing
Standard Length	2.2m or customized

CAPPED COMPOSITE DECKING : CO-02



WATER-PROOF



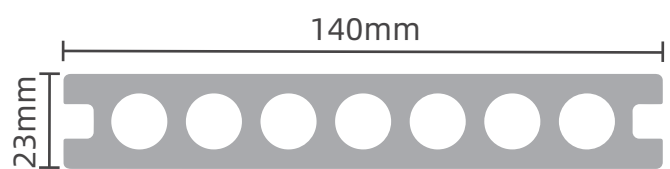
TERMITE RESISTANCE



NO PAINT / MAINTENANCE



EASY TO INSTALL



Sectional view	
Item	CO-02
Size(mm)	140x23
Surface	3D Embossing
Standard Length	2.2m or customized

Surface



Aurora



Starshine

Color



Smoke Gray



Stone Gray



OAK



Dark Teak



Maple



Teak



IPE



Walnut



Sea Blue



Matcha Green



Bright Purple

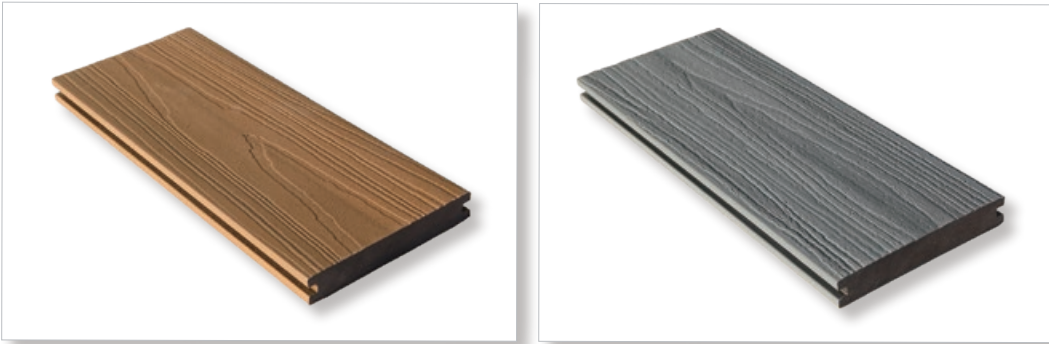


Amber Yellow



Ivory White

CAPPED COMPOSITE DECKING : CO-03



Surface



Aurora



Starshine

Color



Smoke Gray



Stone Gray



OAK



Dark Teak



Maple



Teak



IPE



Walnut



Sea Blue



Matcha Green



Bright Purple



Amber Yellow



Ivory White



WATER-PROOF




TERMITE RESISTANCE



NO PAINT / MAINTENANCE



EASY TO INSTALL

Sectional view	
Item	CO-03
Size(mm)	138x23
Surface	3D Embossing
Standard Length	2.2m or customized

Tools & Accessories



Chainsaw



Tape measure



Drill



Level



Gas Nailer



Joist



Clip



SS screw



Dovetail nails



L-Corner

Summary

Put two deck boards abreast;

Put long bar tie plate upright under the boards, put one bar every 25-35cm (According to the plank which be selected)

Then put one fixing stud, and between two board's channel;

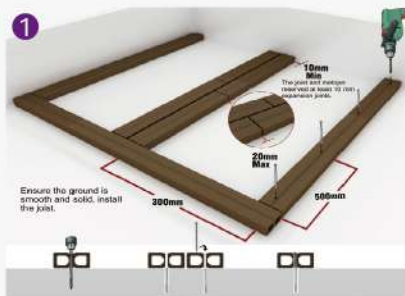
Last put one screw in the fixing stud, and then screw down fast. Making fixing stud and tie plate connection fast.



Intallation(Plastic Clip)

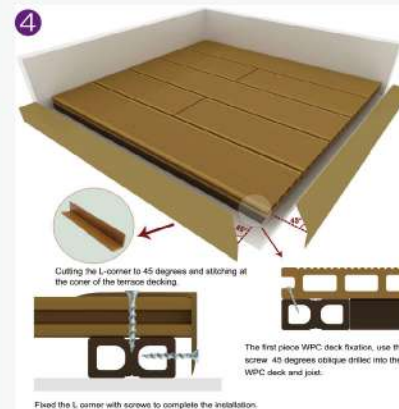
Fix the joist

- Keep the space between joist and metope at least 10 mm for expansion joints.
- Ensure the ground is smooth and solid.



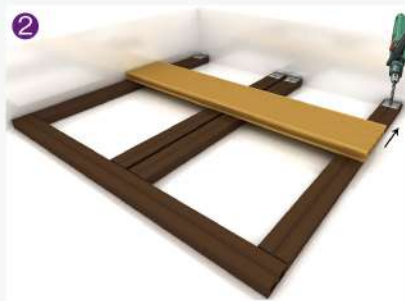
Install the L-Corner

At the junction of two places, the L-Corners were respectively cut along the 45° angle.



Fix the starting clips

Using the screws to fix the starting clips one the joist. and then install the first WPC decking.



Installation finished

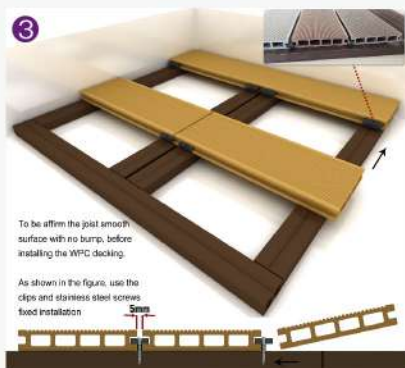
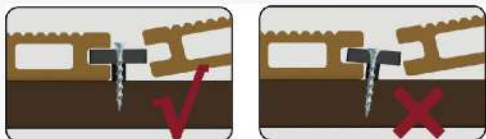


Fix the plastic clips

Installing the WPC decking one by one.

Please note that:

The plastic clip must be perpendicular to the joist when installing.



Project details pictures.





DECKING PROJECTS SHOW



