

Sparktuff Clad Select is manufactured to AS/NZS 4256.4, the highest, guarantee of a quality product. Don't need to paint your exterior ever. Comes with A lifetime warranty

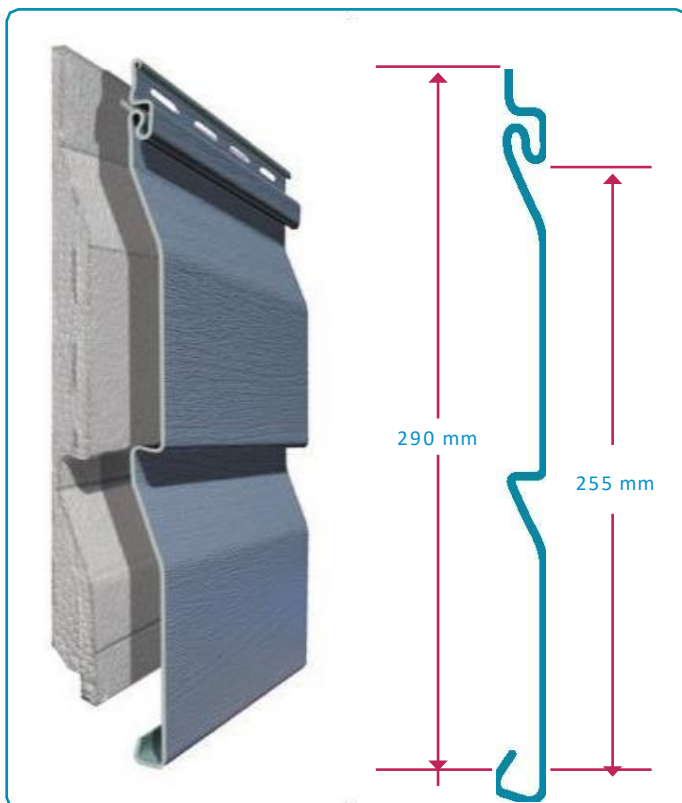
## Sparktuff Select

### Thermal efficiency never looked so good

Select Sparktuff a uniquely Australian styled premium vinyl cladding architecturally designed for beauty and simplicity replicating the gentleness and warmth of traditional timber weatherboards.

Sparktuff Select combines the attractiveness of classic styling with all the benefits of modern technology and production. Once installed, the only maintenance required is an occasional wash down to keep it sparkling clean like day one.

- Select** – manufactured to Australian Standard 4256.4 for our harsh conditions.
- Select** – the savings of outstanding thermal efficiencies in uPVC insulated weatherboards.
- Select** – the widest colour palette available in Australia that never needs painting
- Select** – the outstanding value of an unsurpassed product life cycle
- Select** – the enduring colour retention of colour-fast technology
- Select** – the individual profiles of your choice
- Select** – the intelligent choice in cladding
- Select** – the confidence to give a non-prorated, transferable, Lifetime\* limited warranty
- Select** – the perfect choice for home renovation and new construction



Thermal efficiencies in uPVC



Colour palette that never needs painting



Transferable, Lifetime\* limited warranty



Australian Standard 4256.4



Speedy no-fuss installation

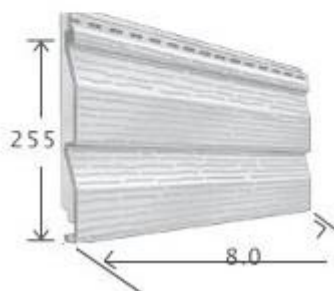
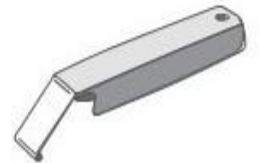


High impact and fade resistance



## Cladding Mesurments

### Tools that may be required



## Available Colours



Available in a range of profiles, choose, Dura Select from 12 vibrant colours. Available in two length sizes of 8m and 5.8m

## Vinyl Cladding Trims



**J-12 Trim**  
**J-16 Trim**  
**J-19 Trim**



**J-32 Trim**



**Drip Cap Wide**



**Outside Corner Post**



**Outside Corner Post**



**Outside Corner Post**



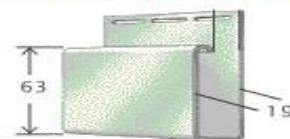
**Inside Corner Post**



**Starter Strip**



**Designer Window Casing (White or Linen)**



**Designer Crown Moulding (White Only)**



**Bay Window Corner (White Only)**

## True Value Rewards

Premium vinyl cladding is one of the lowest-maintenance exterior finishes available today. Unlike fibre cement (fibro) sheets and timber weatherboards, vinyl cladding never requires repainting to maintain its colour and appearance.

While fibro sheeting may seem cheaper upfront, additional costs quickly add up, including:

- Painting before and after installation
- Joint setting, sanding, and patching
- Higher labour and installation costs
- Repainting every 8–10 years
- Future maintenance and repair expenses

According to industry estimates, repainting a fibro-clad home can cost between **\$9,800 to \$28,000** each time depending on the size of the home. Over 30 years, repainting and maintenance costs can exceed **\$112,000+**.

## The Vinyl Advantage

- ✓ No painting required
- ✓ Faster and easier installation
- ✓ Lower long-term maintenance costs
- ✓ Resistant to moisture, rot, and fading
- ✓ Lightweight and durable
- ✓ Modern low-maintenance finish

Premium vinyl cladding helps homeowners and developers save thousands in ongoing maintenance while keeping homes looking modern and stylish for decades.





## 7 Reasons to Install Sparktuff Select Vinyl Wall Cladding

- Sustains a comfortable temperature in summer
- Retains heat in the winter months
- Blocks out surrounding noises
- Washing down with warm soapy water occasionally is all that is needed
- Save money on electricity bills
- Environmentally-friendly product (download document)
- Tested against all weather conditions – will not crack, warp, rot, or peel!

### Premium House Cladding Designed For Australian Conditions

With classic good looks and guaranteed durability, Sparktuff Select Vinyl Cladding is Australia's ultimate wall cladding for home building, construction, renovations, extensions, and additions, available exclusively through Spark Business Group Building Products. Eye-Catching Exterior Cladding

Sparktuff Select's new generation of vinyl wall cladding offers rich modern colours with wood grain textures to turn a house into a home. Exterior cladding that never needs painting means you can enjoy the look of real timber for years, with none of the maintenance.

### Performance Guaranteed Vinyl Cladding

Engineered to the toughest conditions and built to withstand driving rain, wild winds and extreme heat, Sparktuff select is exterior cladding that protects your family and your investment. With a unique 180 wind lock system, all of the cladding panels are securely engaged while still allowing expansion and contraction, which is critical to withstand weather extremes. House Cladding with a 50 Year Warranty

Duratuff select vinyl wall cladding is built to last, we are so confident in this that we offer a 50-year warranty. All SPARK wall cladding is extensively tested so we know it won't rot, peel, dent, split or crack. Eco-Friendly Exterior Cladding

Vinyl cladding comes with fully protected, CFC free, solid foam insulation built onto the individual weatherboards. Insulated wall cladding protects your family and the environment by literally wrapping your house in isolation. Duratuff select vinyl wall cladding aims to improve your homes energy efficiency and improve your comfort. DIY Cladding

Vinyl Cladding is designed to be easy to install. SPARK can provide you with a DIY manual or we can recommend someone from our Australia wide list of installers to give you a quality installation job that will look good for years and years



# SPARK Soffit– Eaves Soffit

## Finishing well starts here

### Soffit – Eaves Finishing Starts Here

Soffit boards are the perfect finishing touch for a modern, low-maintenance exterior. Designed to blend seamlessly with roof overhangs and eaves, they complete the “never paint again” look while protecting hard-to-reach areas from the elements.

Virtually maintenance-free, soffit boards feature a stylish low-gloss brushed finish that complements both modern and traditional architectural designs.

Available in classic White and Linen (off-white), with additional Portfolio colours available by special order.\*

### Why Choose Our Soffit Boards?

- ✓ No painting required
- ✓ Low-maintenance finish
- ✓ Durable and long-lasting
- ✓ Clean modern appearance
- ✓ Ideal for Australian conditions

